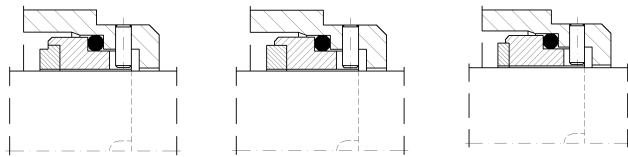
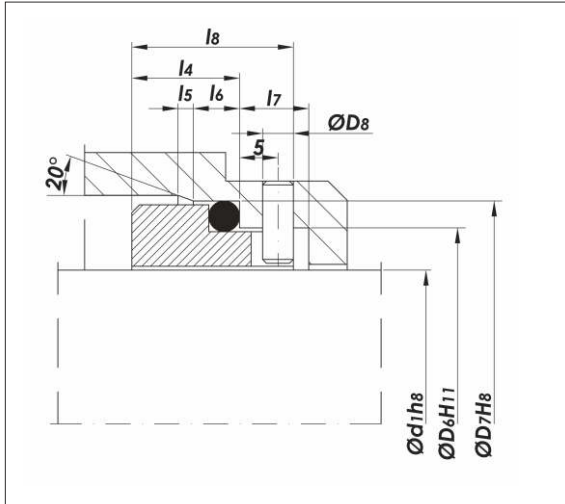


S1
DIN 24960



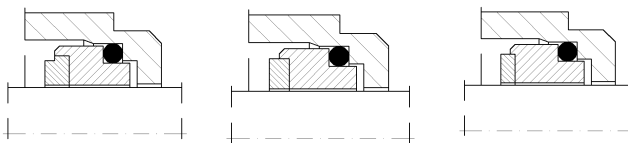
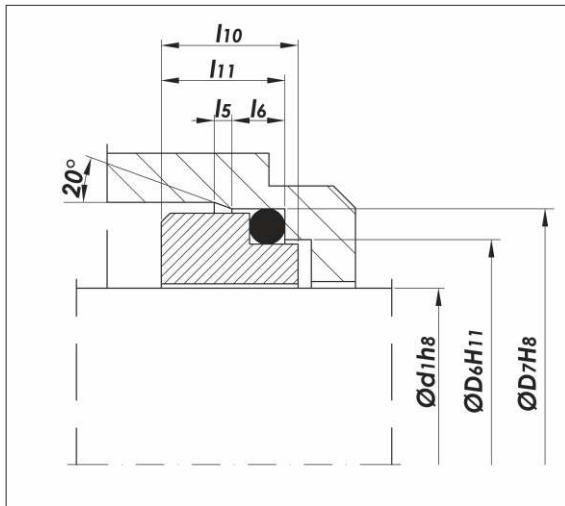
S1.1

S1.2

S1.3

d ₁	D ₆	D ₇	D ₈	l ₄	l ₅	l ₆	l ₇	l ₈
10	17	21	3	10.0	1.5	4	8.5	17.5
12	19	23	3	10.0	1.5	4	8.5	17.5
14	21	25	3	10.0	1.5	4	8.5	17.5
16	23	27	3	10.0	1.5	4	8.5	17.5
18	27	33	3	11.5	2.0	5	9.0	19.5
20	29	35	3	11.5	2.0	5	9.0	19.5
22	31	37	3	11.5	2.0	5	9.0	19.5
24	33	39	3	11.5	2.0	5	9.0	19.5
25	34	40	3	11.5	2.0	5	9.0	19.5
28	37	43	3	11.5	2.0	5	9.0	19.5
30	39	45	3	11.5	2.0	5	9.0	19.5
32	42	48	3	11.5	2.0	5	9.0	19.5
33	42	48	3	11.5	2.0	5	9.0	19.5
35	44	50	3	11.5	2.0	5	9.0	19.5
38	49	56	4	14.0	2.0	6	9.0	22.0
40	51	58	4	14.0	2.0	6	9.0	22.0
43	54	61	4	14.0	2.0	6	9.0	22.0
45	56	63	4	14.0	2.0	6	9.0	22.0
48	59	66	4	14.0	2.0	6	9.0	22.0
50	62	70	4	15.0	2.5	6	9.0	23.0
53	65	73	4	15.0	2.5	6	9.0	23.0
55	67	75	4	15.0	2.5	6	9.0	23.0
58	70	78	4	15.0	2.5	6	9.0	23.0
60	72	80	4	15.0	2.5	6	9.0	23.0
63	75	83	4	15.0	2.5	6	9.0	23.0
65	77	85	4	15.0	2.5	6	9.0	23.0
68	81	90	4	18.0	2.5	7	9.0	26.0
70	83	92	4	18.0	2.5	7	9.0	26.0
75	88	97	4	18.0	2.5	7	9.0	26.0
80	95	105	4	18.2	3.0	7	9.0	26.2
85	100	110	4	18.2	3.0	7	9.0	26.2
90	105	115	4	18.2	3.0	7	9.0	26.2
95	110	120	4	17.2	3.0	7	9.0	25.2
100	115	125	4	17.2	3.0	7	9.0	25.2

S2
DIN 24960



S2.1

S2.2

S2.3

d ₁	D ₆	D ₇	l ₅	l ₆	l ₁₀	l ₁₁
10	17	21	1.5	4	7.5	6.6
12	19	23	1.5	4	7.5	6.6
14	21	25	1.5	4	7.5	6.6
16	23	27	1.5	4	7.5	6.6
18	27	33	2.0	5	8.5	7.5
20	29	35	2.0	5	8.5	7.5
22	31	37	2.0	5	8.5	7.5
24	33	39	2.0	5	8.5	7.5
25	34	40	2.0	5	8.5	7.5
28	37	43	2.0	5	8.5	7.5
30	39	45	2.0	5	8.5	7.5
32	42	48	2.0	5	8.5	7.5
33	42	48	2.0	5	8.5	7.5
35	44	50	2.0	5	8.5	7.5
38	49	56	2.0	6	10.0	9.0
40	51	58	2.0	6	10.0	9.0
43	54	61	2.0	6	10.0	9.0
45	56	63	2.0	6	10.0	9.0
48	59	66	2.0	6	10.0	9.0
50	62	70	2.5	6	10.5	9.5
53	65	73	2.5	6	12.0	11.0
55	67	75	2.5	6	12.0	11.0
58	70	78	2.5	6	12.0	11.0
60	72	80	2.5	6	12.0	11.0
63	75	83	2.5	6	12.0	11.0
65	77	85	2.5	6	12.0	11.0
68	81	90	2.5	7	12.5	11.3
70	83	92	2.5	7	12.5	11.3
75	88	97	2.5	7	12.5	11.3
80	95	105	3.0	7	13.0	12.0
85	100	110	3.0	7	15.0	14.0
90	105	115	3.0	7	15.0	14.0
95	110	120	3.0	7	15.0	14.0
100	115	125	3.0	7	15.0	14.0