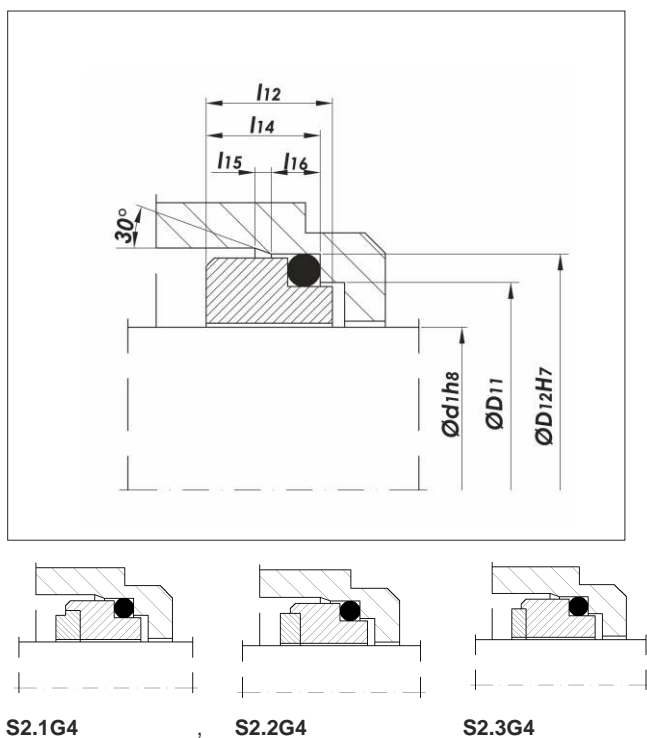
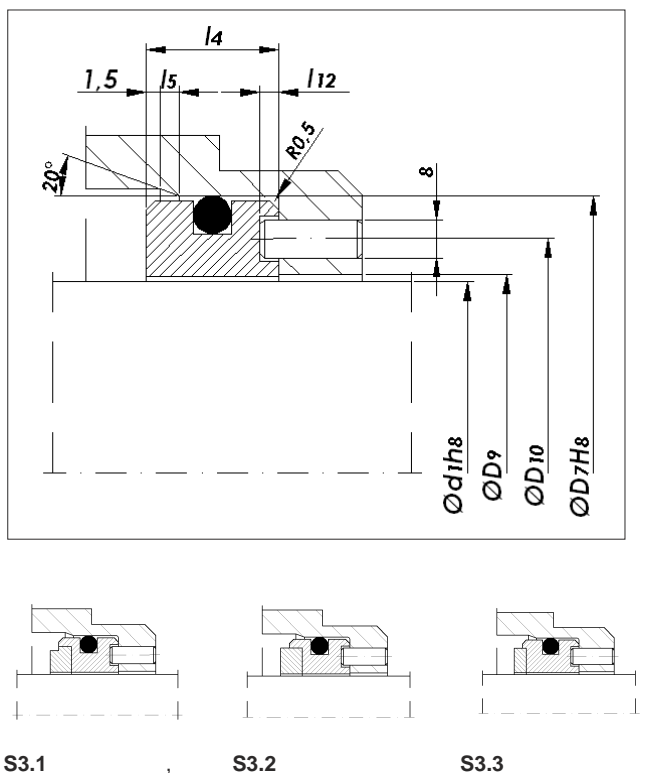


S2G4



d ₁	D ₁₁	D ₁₂	l ₁₂	l ₁₄	l ₁₅	l ₁₆
10	15.5	19.2	7.5	6.6	1.2	3.8
12	17.5	21.6	6.5	5.6	1.2	3.8
14	20.5	24.6	6.5	5.6	1.2	3.8
16	22.0	28.0	8.5	7.5	1.5	5.0
18	24.0	30.0	9.0	8.0	1.5	5.0
20	29.5	35.0	8.5	7.5	1.5	5.0
22	29.5	35.0	8.5	7.5	1.5	5.0
24	32.0	38.0	8.5	7.5	1.5	5.0
25	32.0	38.0	8.5	7.5	1.5	5.0
28	36.0	42.0	10.0	9.0	1.5	5.0
30	39.2	45.0	11.5	10.5	1.5	5.0
32	42.2	48.0	11.5	10.5	1.5	5.0
33	44.2	50.0	12.0	11.0	1.5	5.0
35	46.2	52.0	12.0	11.0	1.5	5.0
38	49.2	55.0	11.3	10.3	1.5	5.0
40	52.2	58.0	11.8	10.8	1.5	5.0
43	53.3	62.0	13.2	12.0	2.0	6.0
45	55.3	64.0	12.8	11.6	2.0	6.0
48	59.7	68.4	12.8	11.6	2.0	6.0
50	60.8	69.3	12.8	11.6	2.0	6.0
53	63.8	72.3	13.5	12.3	2.0	6.0
55	66.5	75.4	14.5	13.3	2.0	6.0
58	69.5	78.4	14.5	13.3	2.0	6.0
60	71.5	80.4	14.5	13.3	2.0	6.0
65	76.5	85.4	14.2	13.0	2.0	6.0
68	82.7	91.5	14.9	13.7	2.0	6.0
70	83.0	92.0	14.2	13.0	2.0	6.0
75	90.2	99.0	15.2	14.0	2.0	6.0
80	95.2	104.0	16.2	15.0	2.0	6.0
85	100.2	109.0	16.0	14.8	2.0	6.0
90	105.2	114.0	16.0	14.8	2.0	6.0
95	111.6	120.3	17.0	15.8	2.0	6.0
100	114.5	123.3	17.0	15.8	2.0	6.0

S3



d ₁	D ₇	D ₉	d ₁₀	l ₄	l ₅	l ₁₂
10	21	11.0	16.0	10.0	1.5	1.5
12	23	13.0	18.0	10.0	1.5	1.5
14	25	15.0	20.0	10.0	1.5	1.5
16	27	17.0	22.0	10.0	1.5	1.5
18	33	19.0	25.0	11.5	2.0	1.5
20	35	21.0	27.0	11.5	2.0	1.5
22	37	23.0	29.0	11.5	2.0	1.5
24	39	25.0	31.0	11.5	2.0	1.5
25	40	26.0	32.0	11.5	2.0	1.5
28	43	29.0	36.0	11.5	2.0	2.0
30	45	31.5	38.0	11.5	2.0	2.0
32	48	33.5	40.5	11.5	2.0	2.0
33	48	34.5	41.0	11.5	2.0	2.0
35	50	36.5	43.0	11.5	2.0	2.0
38	56	39.5	47.0	14.0	2.0	2.0
40	58	41.5	49.0	14.0	2.0	2.0
43	61	44.5	52.5	14.0	2.0	2.0
45	63	46.5	54.0	14.0	2.0	2.0
48	66	49.5	57.0	14.0	2.0	2.0
50	70	52.0	60.0	15.0	2.5	2.5
53	73	55.0	63.5	15.0	2.5	2.5
55	75	57.0	65.5	15.0	2.5	2.5
58	78	60.0	67.5	15.0	2.5	2.5
60	80	62.0	70.0	15.0	2.5	2.5
63	83	65.0	73.0	15.0	2.5	2.5
65	85	67.0	76.0	15.0	2.5	2.5
68	90	70.0	80.0	15.0	2.5	2.5
70	92	72.0	82.0	17.0	2.5	2.5
75	97	77.0	87.0	17.0	2.5	2.5
80	105	82.0	93.5	17.0	3.0	3.0
85	110	87.0	98.5	17.0	3.0	3.0
90	115	92.0	103.5	17.0	3.0	3.0
95	120	97.0	108.5	17.0	3.0	3.0
100	125	102.0	113.5	17.0	3.0	3.0