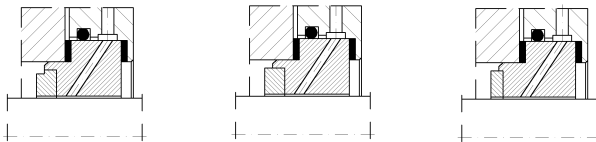
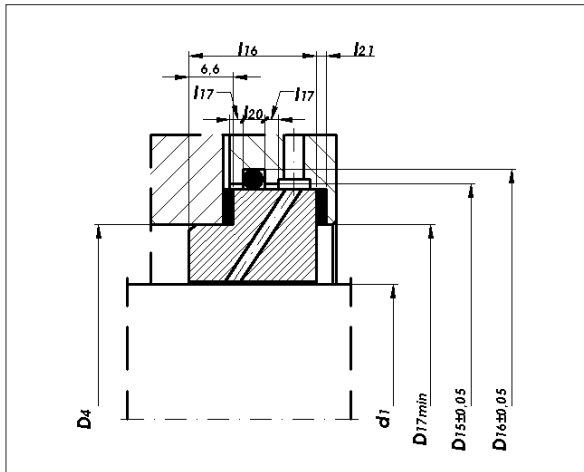


S7



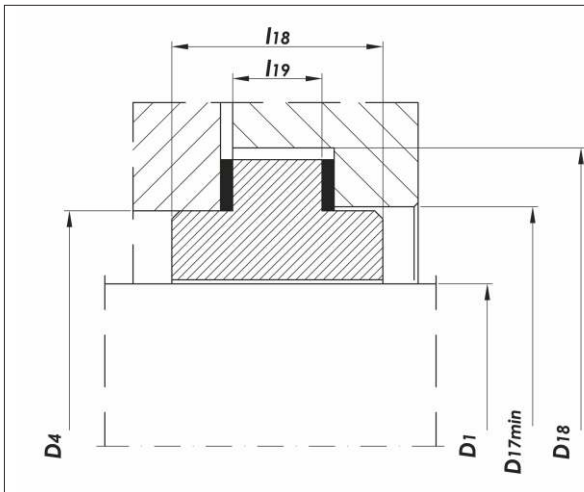
S7.1

S7.2

S7.3

d_1	D_4	D_{15}	D_{16}	D_{17}	l_{16}	l_{17}	l_{20}	l_{21}
10	22	36.2	40.4	23.0	19	2.0	3.2	1.0
12	24	39.2	43.4	25.0	19	2.0	3.2	1.0
14	26	42.2	46.4	27.0	19	2.0	3.2	1.0
16	28	44.2	48.4	29.0	19	2.0	3.2	1.0
18	34	46.2	50.4	35.0	19	2.0	3.2	1.0
20	36	48.2	52.4	37.5	19	2.0	3.2	1.0
22	38	49.2	52.4	39.5	19	2.0	3.2	1.0
24	40	51.2	55.4	41.5	19	2.0	3.2	1.0
25	41	51.2	58.4	42.5	19	2.0	3.2	1.5
28	44	54.2	58.4	45.5	19	2.0	3.2	1.5
30	46	55.2	59.4	47.5	19	2.0	3.2	1.5
32	48	57.2	61.4	49.5	19	2.0	3.2	1.5
33	49	59.2	63.4	50.5	19	2.0	3.2	1.5
35	51	60.2	64.4	52.5	19	2.0	3.2	1.5
38	58	68.2	72.4	59.5	19	2.0	3.2	1.5
40	60	70.2	74.4	62.0	19	2.0	3.2	1.5
43	63	73.2	77.4	65.0	19	2.0	3.2	1.5
45	65	76.2	80.4	67.0	19	2.0	3.2	1.5
48	68	83.2	87.4	70.0	19	2.0	3.2	1.5
50	70	83.2	87.4	72.0	19	2.0	3.2	1.5
53	73	89.2	93.4	75.0	19	2.0	3.2	2.0
55	75	89.2	93.4	77.0	19	2.0	3.2	2.0
58	83	95.2	99.4	85.0	19	2.0	3.2	2.0
60	85	98.2	103.8	87.0	22	2.5	4.3	2.0
63	88	101.2	106.8	90.0	22	2.5	4.3	2.0
65	90	104.2	109.8	92.0	22	2.5	4.3	2.0
68	93	108.2	113.8	95.0	22	2.5	4.3	2.0
70	95	111.2	116.8	97.0	27	4.0	4.3	2.0
75	104	120.2	125.8	107.0	27	4.0	4.3	2.0
80	109	126.2	131.8	112.0	27	4.0	4.3	2.0
85	114	130.2	135.8	117.0	27	4.0	4.3	2.0
90	119	136.2	141.8	122.0	27	4.0	4.3	2.0
95	124	140.2	150.8	127.0	27	4.0	4.3	2.0
100	129	146.2	163.8	132.0	27	4.0	4.3	2.0

S8



d_1	D_4	D_{17}	D_{18}	l_{18}	l_{19}
10	22	27.2	37	18	8
12	24	30.2	39	18	8
14	26	31.2	41	18	8
16	28	34.4	43	18	8
18	34	37.5	46	18	8
20	36	37.5	47	18	8
22	38	38.5	49	18	8
24	40	42.5	52	18	8
25	41	42.5	52	26	11
28	44	46.6	59	26	11
30	46	49.6	59	26	11
32	48	51.6	64	26	11
33	49	54.6	67	26	11
35	51	54.6	67	26	11
38	58	57.6	70	26	11
40	60	62.6	75	26	11
43	63	65.0	80	26	11
45	65	67.0	80	26	11
48	68	70.0	83	26	11
50	70	72.0	85	26	11
53	73	75.0	96	32	14
55	75	77.0	96	32	14
58	83	85.0	101	32	14
60	85	87.0	101	32	14
63	88	90.0	106	32	14
65	90	92.0	106	32	14
68	93	95.0	111	32	14
70	95	97.0	111	32	14
75	104	107.0	116	32	14
80	109	112.0	121	32	14
85	114	117.0	126	32	14
90	119	122.0	131	32	14
95	124	127.0	136	32	14
100	129	132.0	141	32	14